

Suit Impressions Order Form 2 for Men

Suits, Shirts and Trousers

Date :
Order No.:

Billing Details

Name:
Address:

e-mail:
Tel No:

Body Size

Height: cm foot - inch
Weight: kg pound

Quantity and Fabrics Details

Quantity of Jacket:
Quantity of Trouser:
Jacket / Trouser Fabric: e.g. 4590-A1
Quantity of Shirt:
Shirt Fabric: e.g. OXFORD-6
Comments:

Note:

Please fax this form back to us at +61 2 8212 5972

If you would like to order suits and shirts with different styles please contact us for details

Suit Jacket's Style

Order No.:

Jacket's Breasted Style

- 1. Single Breasted - 1 Button
- 2. Single Breasted - 2 Buttons
- 3. Single Breasted - 3 Buttons
- 4. Single Breasted - 4 Buttons
- 5. Double Breasted 2 Buttons-1 Working
- 6. Double Breasted 4 Buttons-1 Working
- 7. Double Breasted 4 Button-2 Working
- 8. Double Breasted 6 Button-1 Working
- 9. Double Breasted 6 Button-2 Working
- 10. Double Breasted 6 Button-3 Working
- 11. Double Breasted 8 Button-3 Working
- 12. Double Breasted 8 Button-4 Working

Jacket's Collar Style

- 1. Notch Lapels
- 2. Peak Lapels
- 3. Mandarin

Pocket Styles

- Straight Pocket No.1
- Straight Pocket No.2
- Slanted Pocket No.1
- Slanted Pocket No.2

Jacket's Vent Style

- 1. Close Vented
- 2. Single Vented
- 3. Double Vented

Jacket's Cuff Style

- 1 Button
- 3 Buttons
- 4 Buttons

Trousers Style

Trouser's Front Style

- 1. Single Pleated
- 2. Double Pleated
- 3. Flat Pleated

Trouser's Pocket Style

- 1. Cross Pocket
- 2. Horizontal Pocket
- 3. Vertical Pocket

Shirt Style

- Long Sleeve

- Short Sleeve

Shirt's Collar Style

- 1. Band Collar
- 2. Button Down Collar
- 3. Hidden Button Collar
- 4. Classic Collar
- 5. Cutaway Collar

Shirt's Front Style

- Box Style
- Fly Style
- French Style

Shirt's Pocket Style

- 1. Classic
- 2. Diamond
- 3. Flap
- 4. Flap-Pleated
- 5. No Pocket

Shirt's Back Style

- 1. Plain
- 2. Box-Pleated
- 3. Two-Side Pleated

Shirt's Bottom Style

- 1. Cut
- 2. Cut-Straight
- 3. Round
- 4. Straight

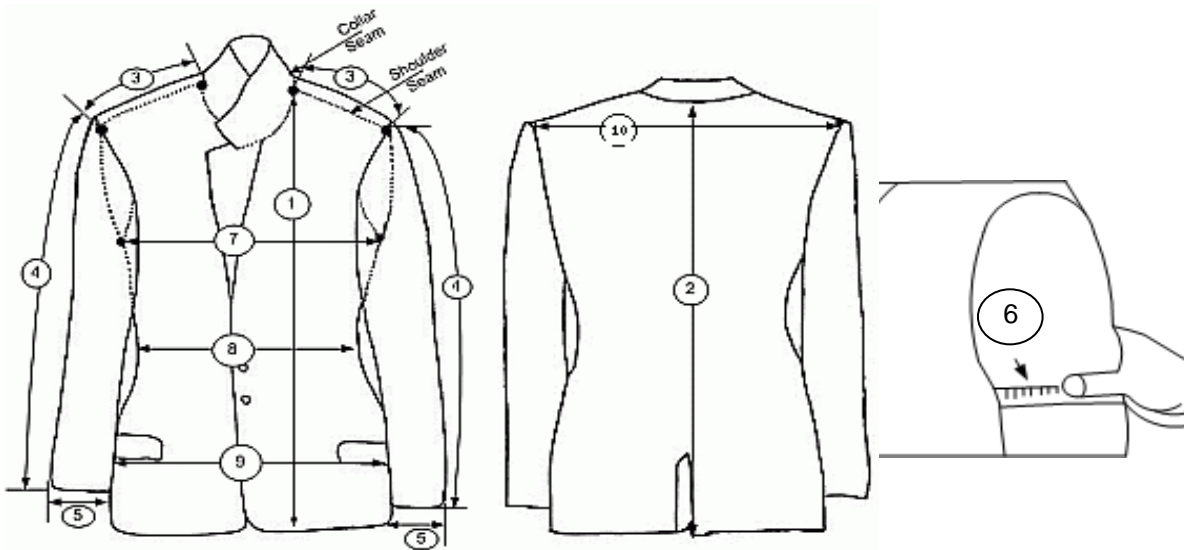
Shirt's Cuff Style

- 1. Round Cuff 1 Button
- 2. Round Cuff 2 Buttons
- 3. Square Cuff 1 Button
- 4. Square Cuff 2 Buttons
- 5. Cut Corner Cuff 1 Button
- 7. Cut Corner Cuff 2 Buttons
- 8. French Cuff

FAX this section to head office if it is used.

Order No.:

Measurement Details for Jacket from the existing jacket



Measurement Unit

- inch
- centimetre

1 ความยาวเสื้อด้านหน้า
Jacket Length (Front)

Measure at the collar's seam (not top of collar) down to the actual wanted length

2 ความยาวเสื้อด้านหลัง
Jacket Length (Back)

Measure from center of neck base, down to the bottom of your "derrière" (rear-end)

3 ความกว้างบ่า
Shoulder Pad Width

Measure from the collar seam to the shoulder seam

4 ความยาวแขนเสื้อ
Sleeve Length

Measure from the shoulder seam down the end of the end of the jacket length

5 รอบข้อมือ
Cuff Circumference

Measure around jacket's cuff

6 รอบต้นแขน
Arm Circumference

Measure around the jacket's arm under the armpits

7 รอบอก
Chest Circumference

Measure around the fullest part of the jacket's chest under the armpits

8 รอบเอว
Belly Circumference

Measure around the waist of the jacket

9 รอบสะโพก
Hip Circumference

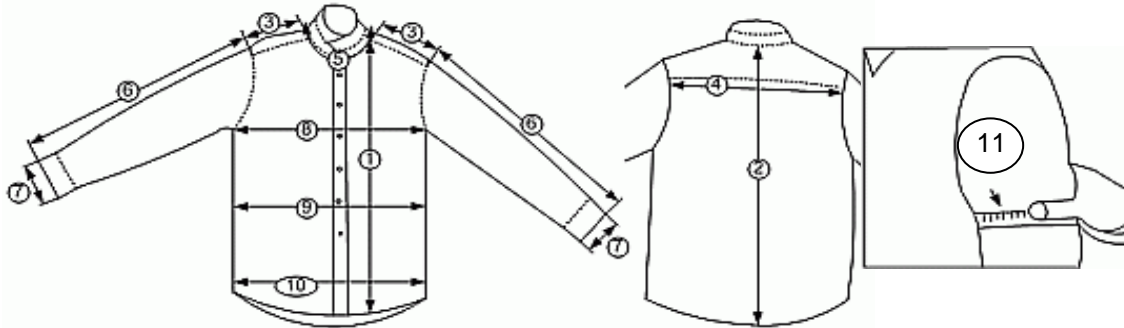
Measure around the hip of the jacket

10 Shoulder Width

FAX this section to head office if it is used.

Order No.:

Measurement Details for Shirt from the existing shirt



Measurement Unit

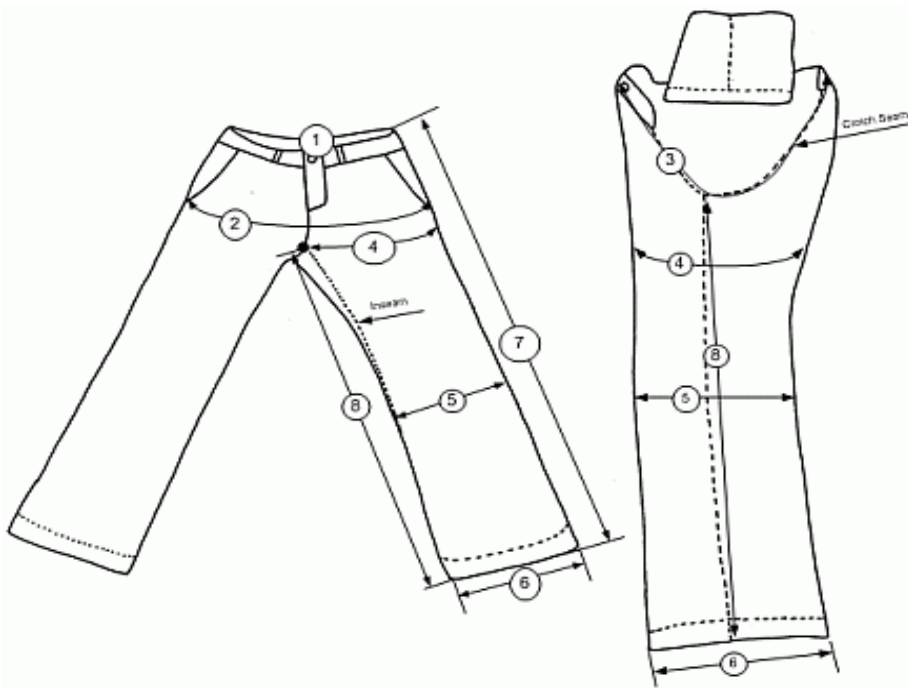
- inch
- centimetre

- | | |
|---|---|
| <p>1 ความยาวเสื้อด้านหน้า
Shirt Length (Front)</p> | <p><input style="width: 80px; height: 20px;" type="text"/> Measure at the collar's seam (not top of collar) down to the actual wanted length</p> |
| <p>2 ความยาวเสื้อด้านหลัง
Shirt Length (Back)</p> | <p><input style="width: 80px; height: 20px;" type="text"/> Measure from center of neck base, down to the bottom of your "derrière" (rear-end)</p> |
| <p>3 ความกว้างป่า
Shoulder Pad Width</p> | <p><input style="width: 80px; height: 20px;" type="text"/> Measure from the collar seam to the shoulder seam</p> |
| <p>4 ความกว้างไหล่
Shoulder Width</p> | <p><input style="width: 80px; height: 20px;" type="text"/> Measure from the shoulder seam to the other ends end of the shirt length</p> |
| <p>5 รอบคอ
Neck Circumference</p> | <p><input style="width: 80px; height: 20px;" type="text"/> Measure around the shirt's neck</p> |
| <p>6 ความยาวแขนเสื้อ
Sleeve Length</p> | <p><input style="width: 80px; height: 20px;" type="text"/> Measure from the shoulder seam down the end of the shirt length</p> |
| <p>7 รอบข้อมือ
Cuff Circumference</p> | <p><input style="width: 80px; height: 20px;" type="text"/> Measure around shirt's cuff</p> |
| <p>8 รอบอก
Chest Circumference</p> | <p><input style="width: 80px; height: 20px;" type="text"/> Measure around the fullest part of the shirt's chest under the armpits</p> |
| <p>9 รอบเอว
Belly Circumference</p> | <p><input style="width: 80px; height: 20px;" type="text"/> Measure around the waist of the shirt</p> |
| <p>10 รอบสะโพก
Hip Circumference</p> | <p><input style="width: 80px; height: 20px;" type="text"/> Measure around the hip of the shirt</p> |
| <p>11 รอบต้นแขน
Arm Circumference</p> | <p><input style="width: 80px; height: 20px;" type="text"/> Measure around the shirt's arm under the armpits</p> |

FAX this section to head office if it is used.

Order No.:

Measurement Details for Trouser from the existing trouser



Measurement Unit

- inch
- centimetre

- | | | | |
|---|---------------------------------|----------------------|------------------------------------|
| 1 | รอบเอว Waist Circumference | <input type="text"/> | Measure around the waist |
| 2 | รอบสะโพก Hip Circumference | <input type="text"/> | Measure around the hip |
| 3 | เป้า Crotch | <input type="text"/> | |
| 4 | รอบต้นขา Thigh Circumference | <input type="text"/> | Measure around the trouser's thigh |
| 5 | หัวเข่ากว้าง Knee Circumference | <input type="text"/> | Measure the trouser's knee width |
| 6 | ปลายขากว้าง Bottom Width | <input type="text"/> | Measure the trouser's bottom width |
| 7 | กางเกงยาว ตะเข็บด้านนอก | <input type="text"/> | Trouser's Length (Outseam) |
| 8 | กางเกงยาว ตะเข็บด้านใน | <input type="text"/> | Trouser's Length (Inseam) |